

Operating instructions

Presence detector and motion detector 360° compact
Order no. 2399 02



Table of contents

1	Safety instructions	3
2	Battery safety instructions	3
3	Device components	4
4	Intended use	4
5	Operation	7
6	Information for electrically skilled persons	10
6.1	Mounting and electrical connection	11
6.2	Commissioning	17
7	Technical data	22
8	Troubleshooting	23
9	Accessories	25
10	Warranty	25

1 Safety instructions



Electrical devices may be mounted and connected only by electrically skilled persons.

Serious injuries, fire or property damage are possible. Please read and follow the manual fully.

Danger of electric shock. Device is not suitable for disconnection from supply voltage because mains potential even is applied on the load when the device is switched off. Before carrying out work on the device or load, switch off all corresponding circuit breakers.

Do not press on the sensor window. Device can be damaged.

The device is not suitable for use as a burglar alarm or other alarm.

This manual is an integral part of the product, and must remain with the customer.

2 Battery safety instructions

This device or its accessories are supplied with batteries in the form of button cells.

DANGER! Batteries can be swallowed. This can lead directly to death by suffocation. Dangerous substances may cause severe internal burns leading to death within 2 hours.

Keep new and used batteries away from children.

Do not use devices if the battery compartment does not close securely and keep away from children.

If you suspect that a battery has been swallowed or is in any orifice of the body, seek immediate medical attention.

WARNING! Improper handling of batteries can result in explosion, fire or chemical burn due to leakage.

Do not heat or throw batteries into fire.

Do not reverse polarity, short-circuit or recharge batteries.

Do not deform or disassemble batteries.

Replace batteries only with an identical or equivalent type.

Remove empty batteries immediately and dispose of in an environmentally friendly manner.



Remove empty batteries immediately, cover the poles with adhesive tape and dispose of in an environmentally friendly manner. Do not throw batteries into household waste. Consult your local authorities about environmentally friendly disposal. According to statutory provisions, the customers are obligated to return used batteries.

3 Device components

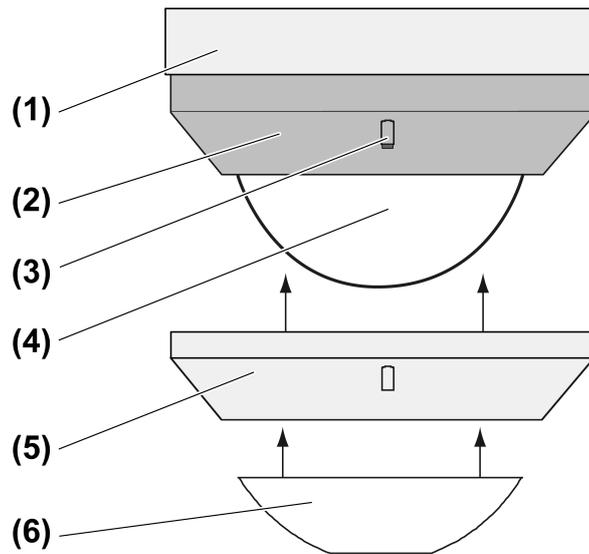


Figure 1

- (1) Connection box
- (2) Sensor cover
- (3) Brightness sensor
- (4) Sensor window with red and blue display LED
- (5) Decor ring
- (6) Push-on cover

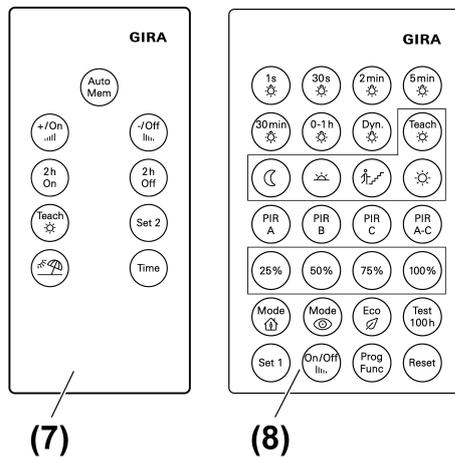


Figure 2

- (7) IR PIR 2 remote control, included in the scope of delivery
- (8) IR PIR 1 remote control (installation engineer), see Accessories

4 Intended use

- Automatic switching of lighting depending on the heat motion and ambient brightness

- Indoor ceiling mounting, surface-mounted

Product characteristics

- 2-point light control
- Functions settable with IR remote controls
- Restriction of the detection field by switching off individual sensors or push-on cover
- Operation with IR remote control, 2-wire extension or push-button
- Teach function for adjustment of the brightness threshold, in combination with IR remote controls
- Switch-off warning
- Short time operation, e.g. to activate acoustic signal encoders
- Display LEDs
- Presence simulation
- Function as twilight switch
- Dynamic run-on time
- Extension of the detection field through parallel switching of multiple devices

i The extension of the detection field with 3-wire extensions is not possible.

Automatic operation

The device detects heat motions of people, animals and objects.

- The light is switched on if a person enters the detection field and the brightness threshold is below the set brightness threshold.
The run-on time restarts with each detected motion.
- The light is switched off when it is no longer required because:
no more movement is detected in the detection field and the run-on time has elapsed or the ambient light is bright enough.
The switch-off brightness is calculated from the set brightness threshold and the connected light.
To avoid brief shading from causing switch-off, switch-off only takes place when the set run-on time has elapsed. The run-on time does not restart on movement detection for as long as the switch-off brightness is exceeded.

i The minimum switch-off brightness is 100 lux, even if a lower value is set.

To avoid any switch-on caused by a cooling lamp, no movement signals are evaluated for a brief lockout time after switching off. The motion detector adjusts itself to the ambient conditions to keep the time as short as possible.

Short-time operation

If motion occurs, then a short pulse of approx. 0.5 seconds is triggered depending on the brightness. The pulse is cyclically repeated as long as motions are detected.

Switch-off warning

If the switch-off warning is active, the light is not switched off immediately after the run-on time has elapsed. Triple flashing at an interval of 10 seconds shows that the light will be switched off soon. The run-on time is thereby prolonged by approx. 30 seconds. If movement is detected during the switch-off prewarning, then the run-on time is restarted and the light remains on.

Dynamic run-on time

The function determines a run-on time within specified limits automatically and dynamically from detected movements. In so doing, the run-on time is increased if presence continues or decreased if absence is detected.

Presence simulation

In automatic operation, the motion detector continuously saves times for which the lighting was switched on. A maximum of 60 switching operations are saved over a period of 24 hours. If more switching operations take place, the oldest ones are overwritten respectively. If the presence simulation is activated, the motion detector switches the lighting at the saved times depending on brightness. Switch-off takes place after the run-on time has elapsed. Detected motions prolong the run-on time or the light is switched on depending on brightness. Times are not saved.

Function as twilight switch

The function is active as soon as all the PIR sensors have been switched off (see Commissioning).

The light is switched according to the brightness. Motions are not evaluated.

- The light is switched on if the brightness is below the set brightness threshold for 4 minutes.
- The light is switched off when the switch-off brightness (see Automatic mode) is exceeded for 4 minutes.

i Switch-on and switch-off of the light via 2-wire extensions or push-buttons is not possible. The Continuous on/off and on/off for 2 hours functions cannot be used.

Behaviour after mains voltage return

After mains voltage return, the device performs a self-test for a maximum of 20 seconds. After the self-test has been completed, the device is ready for operation. The device switches the light according to the settings made.

The following applies during the self-test:

- The red and blue display LEDs (4) light up.
- The device cannot be operated or set using an IR remote control.
- Movements are not detected.
- The device can be switched via 2-wire extensions or installation push-buttons.

5 Operation

Special functions can be switched and settings adjusted using the supplied PIR 2 IR remote control.

- i** Special functions can restrict operation via the 2-wire extensions or push-buttons.
- i** If multiple devices are within the range of the IR remote control, then align it so that only the device to be operated can receive the signals.

Inserting the battery

- i** Obey the battery safety instructions.
 - Keep contacts of batteries and device free of grease.
 - Insert the supplied battery with correct polarity (see IR remote control imprint).

LED display

Behind the sensor window (4) are a red and a blue LED (see figure 1) for indicating different states of operation.

Red LED	Blue LED	Signalling
Off	On	Light switched on continuously
On	Off	Light switched off continuously or twilight button function activated
Flashing slowly	Off	Presence simulation switched on
Flashing	Off	Receipt of IR signals
Off	Flashing	IR signal detected

Button assignment of the supplied PIR 2 IR remote control

Taste	Funktion
Auto Mem Pressing for less than 0.4 seconds	Switching on automatic mode
Auto Mem Actuation of between 1 and 4 seconds	In automatic mode: Switch-on for the duration of the run-on time
+/On  Pressing for less than 0.4 seconds	Continuous on
-/Off  Pressing for less than 0.4 seconds	Continuous off
2 h on Pressing for less than 0.4 seconds	On for 2 hours
2 h off Pressing for less than 0.4 seconds	Off for 2 hours

Teach ☀ Pressing for less than 10 seconds	In the next 10 seconds, the brightness threshold can be changed incrementally using the +/On  or -/Off  buttons.
Teach ☀ Pressing for longer than 10 seconds	Saving the current ambient brightness as the brightness threshold
Set 2 Pressing for longer than 10 seconds	Activate settings that have been saved during commissioning
 Pressing for longer than 10 seconds	Switching the presence simulation on or off
Time Pressing for less than 10 seconds	In the next 10 seconds, the run-on time can be changed incrementally using the +/On  or -/Off  buttons.

Switching on light for the duration of the run-on time

A 2-wire extension or a push-button is connected.

-  In short time operation, cyclic pulses take place whilst the 2-wire extension at top or bottom or the push-button is pressed.
-  Alternatively, press the **Auto Mem** button of the IR remote control for between 1 and 4 seconds. In short-time operation, there is a single pulse after releasing the button.

Light is switched off.

Motion detector operation

- Press the 2-wire extension or installation push-button for less than 0.4 seconds.
-  If the 2-wire extension or the push-button is pressed again after switch-on, then the run-on time is restarted.

Presence detector operation

- Press the top or full-surface of the 2-wire extension or push-button for less than 0.4 seconds.
Light is switched on depending on brightness and motion. Movements are evaluated depending on brightness and prolong the run-on time.

Switching the light off for a period of 3 minutes

-  This function can only be used in presence detector operation.

A 2-wire extension or a push-button is connected.

Light is switched on.

- Press the bottom 2-wire extension or push-button.
The light is switched off for the period of 3 minutes. When movements are detected, the time is restarted.

Switch on the light for 2 hours

Motions are not evaluated during this time. It is not possible to switch off via a 2-wire extension or push-button.

- Press **2 h on** button of the IR remote control.
Light is switched on for 2 hours. The motion detector is in automatic operation again after the 2 hours have elapsed.
- i** The time is restarted if actuation is repeated.
- i** Automatic operation is switched on again using the **Auto Mem** button.

Switch on the light continuously

Motions are not evaluated during this time. It is not possible to switch off via a 2-wire extension or push-button.

- Press the **+/On** button for shorter than 0.4 seconds.
Light is switched on continuously. The blue LED lights up.
- i** Automatic operation is switched on again using the **Auto Mem** button.

Switch off the light for 2 hours

Motions are not evaluated during this time. It is not possible to switch on via a 2-wire extension or push-button.

- Press the **2 h off** button.
Light is switched off for 2 hours. The device is in automatic operation again after the time has elapsed.
- i** The time is restarted if actuation is repeated.
- i** Automatic operation is switched on again using the **Auto Mem** button.

Switch off the light continuously

Motions are not evaluated. It is not possible to switch on via a 2-wire extension or push-button.

- Press the **-/Off** button for shorter than 0.4 seconds.
Light is switched off continuously. The red LED lights up.
- i** Automatic operation is switched on again using the **Auto Mem** button.

Adjusting the switch-on brightness

The switch-on brightness is set during commissioning. The switch-on brightness can be adjusted at a later time using the PIR 2 IR remote control.

- Press **Teach** button briefly.
- Within 10 seconds, press the **+/On** or **-/Off** button briefly.

Each button press extends or shortens the brightness threshold by 10% of the set value, but by at least 1 lux.

Saving the current brightness as the switch-on brightness

- Press the **Teach**  button for longer than 10 seconds.
The current brightness is saved as the switch-on brightness.

Adjusting the run-on time

The run-on time is set during commissioning. The run-on time can be adjusted at a later time using the PIR 2 IR remote control.

- Press the **Time** button briefly.
- Within 10 seconds, press the **+/On**  or **-/Off**  button briefly.
Each button press extends or shortens the run-on time by 10% of the set value, but by at least 1 second.

Recalling saved settings

During commissioning, the settings made can be saved (see Saving settings). These can be recalled if, for example, changes made later are no longer required.

- Press the **Set 2** button for longer than 10 seconds.
The saved settings are active again.

Switching the presence simulation on or off

- Press the  button for longer than 10 seconds.
The presence simulation is switched on or off alternately. If the function is switched on, the red LED flashes slowly.
-  The function cannot be activated until 24 hours after first commissioning.

6 Information for electrically skilled persons



DANGER!

Electric shock when live parts are touched.

Electric shocks can be fatal.

Always disconnect before carrying out work on the device or load. For this, switch off all corresponding circuit breakers, secure against being switched on again and check that there is no voltage. Cover up adjacent live parts.

6.1 Mounting and electrical connection

Detection field and range

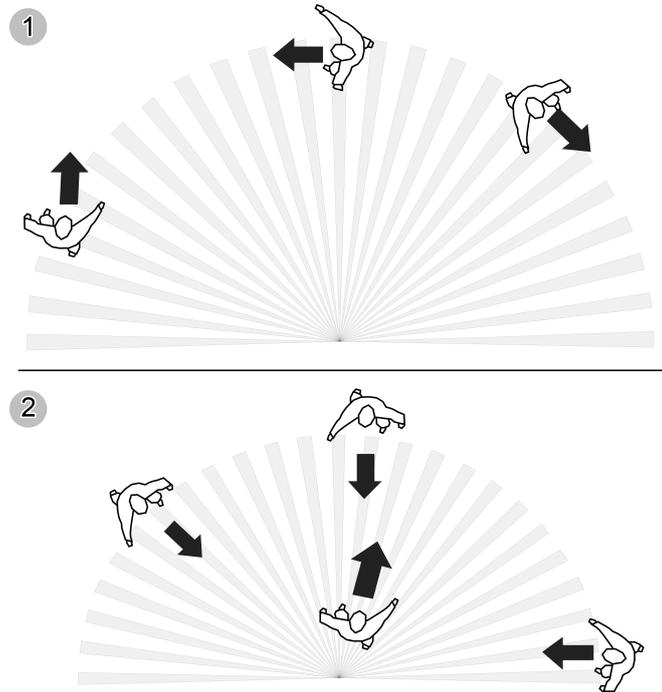


Figure 3: Tangential and radial direction of motion

The device has a detection field of 360°. The diameter of the detection field depends on the installation height and the direction of motion of persons in the detection field (see figure 4).

The detection field becomes larger the greater the installation height, while the detection density and sensitivity are reduced at the same time.

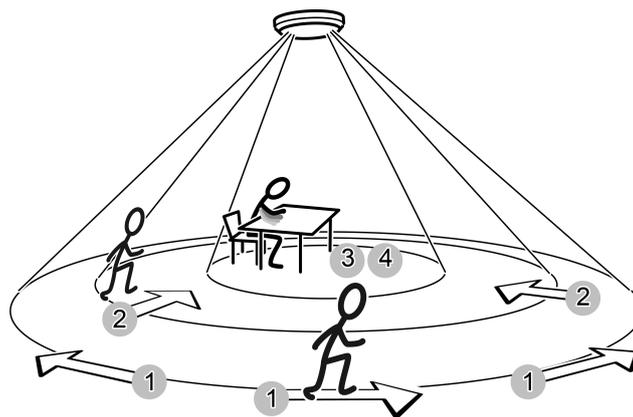


Figure 4: Detection range depending on the direction of movement

Diameter of detection field for direction of movement

Installation height	1:	2:	3:	4:
2.20 m	14.50 m	11.50 m	8.00 m	6.00 m
2.50 m	16.50 m	13.00 m	10.00 m	7.00 m

Installation height	1:	2:	3:	4:
3.00 m	20.00 m	16.00 m	12.00 m	8.00 m
3.50 m	23.00 m	18.50 m	14.00 m	9.00 m
4.00 m	26.00 m	17.00 m	14.50 m *)	– *)
5.00 m	28.00 m	18.00 m	15.00 m *)	– *)
6.00 m	29.00 m	19.00 m	– *)	– *)

- 1: Range for tangential movement on the ground
 2: Range for radial movement on the ground
 3: Range for typical movements at desks, e.g. torso movement
 4: Range of fine detection at desks, e.g. mouse movements
 *) When used as a presence detector: Installation height should not be more than 3.5 m, otherwise fine detection is not possible.

Selecting installation location

For use as a presence detector, the device is installed, for example, above a workplace and monitors the surface below it. For use as a motion detector, the device is installed, for example, in the hallway.

- Select a vibration-free installation location. Vibrations can lead to unwanted switching.
- Avoid interference sources in the detection field. Interference sources, e.g. heaters, ventilation, air conditioners, and cooling luminaires can lead to unwanted detections.

i The detection field can be limited in order to minimise the influence of interference sources. For this, use the push-on cover (see Limiting the detection field with the push-on cover) or switch off individual sensors (see Limiting the detection field).

Aligning the device

The device has three independent PIR sensors for motion detection (see figure 5).

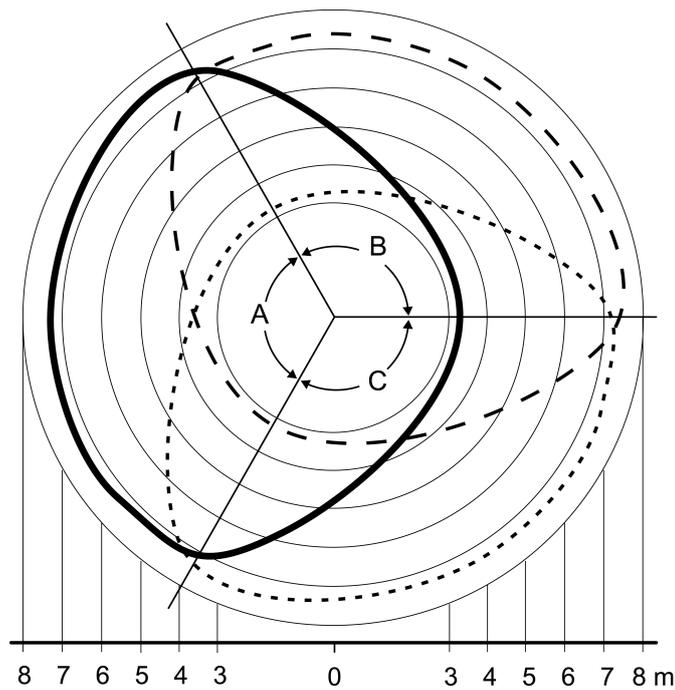


Figure 5: Detection field areas A, B and C, installation height 2.50 m

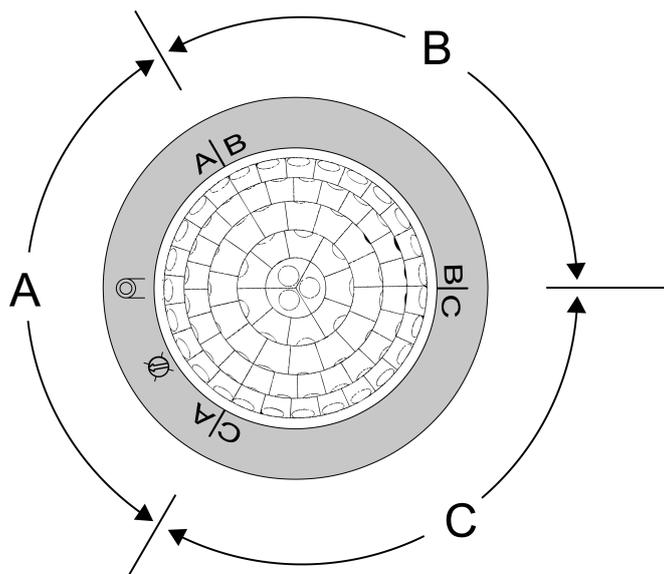


Figure 6: Arrangement of the areas A, B and C

- Align the connection box (1) in such a way that the areas A, B and C match the structural conditions. The arrangement is clearly evident under the decor ring (see figure 6).

Preparations for mounting

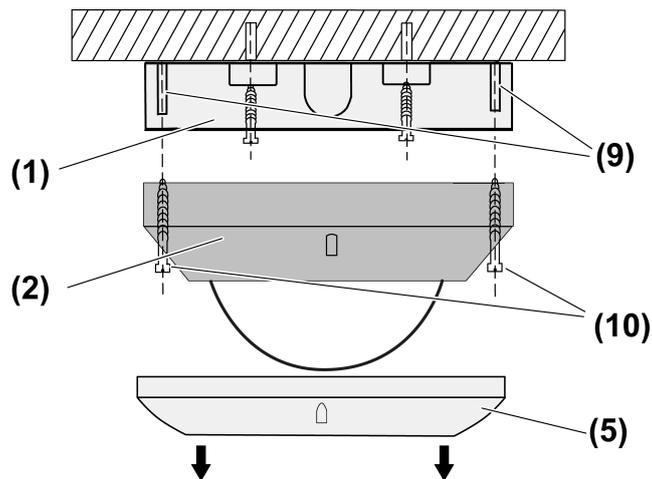


Figure 7: Mounting

- (1) Connection box
 - (2) Sensor cover
 - (5) Decor ring
 - (9) Fastening pins
 - (10) Screws
- Pull off decor ring (5) (see figure 7).
 - Loosen screws (10) (see figure 7).

Installing the connection box

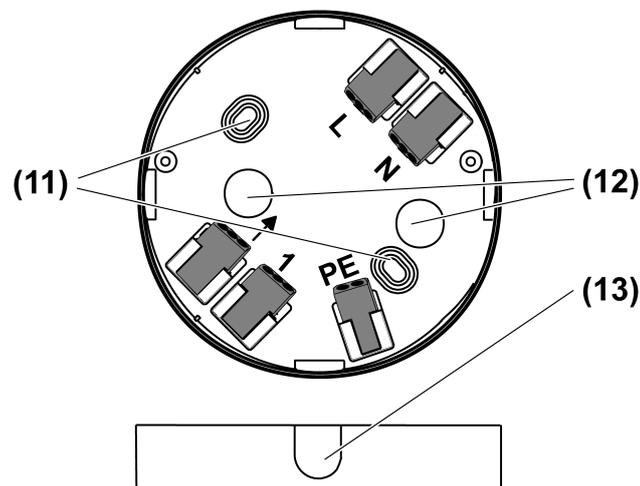


Figure 8: Connection box

- (11) Fastening holes
 - (12) Cable entry, surface-mounted
 - (13) Thin points for optional cable entries
- Align the device (for the position of areas A, B, C, see Aligning the device) – the brightness sensor should, if possible, be located on the side away from the window. This reduces the effects of scattered light.

- For an additional flush-mounted cable entry or surface-mounted cable entry, break out the appropriate thin point (13) (see figure 8).
 - Fastening the connection box (1) through holes (11) (see figure 8).
- i** Alternatively, the device can also be mounted on a 60 mm appliance box. The screws are not included in the scope of delivery.

Connect device

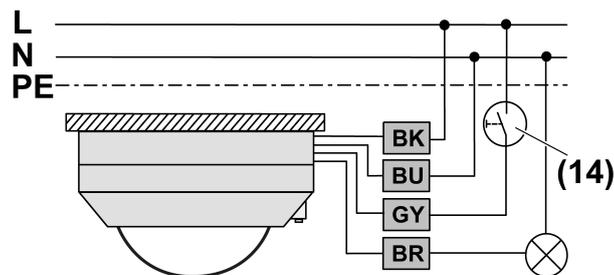


Figure 9: Connection diagram, single device

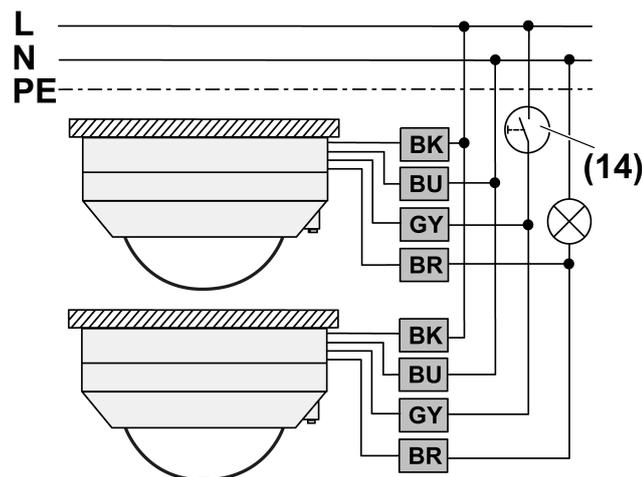


Figure 10: Connection diagram, parallel circuit for expanding the detection field

Max. power cable length 100 m. This takes into account all the connecting cables between the devices and lamps.

Do not connect more than five devices in parallel.

Connect all devices to the same phase conductor.

Set all the devices to the same device function (motion detector or presence detector).

- i** The connection in parallel does not increase maximum connected load.
- Connect the sensor cover according to the connection diagram (see figure 9) or switch the sensor covers according to the circuit diagram (see figure 10).
 - If multiple circuit breakers supply dangerous voltages to the device or load, couple the circuit breakers or label them with a warning to ensure tripping.

Connection assignment

black, BK, L	Phase conductor
brown, BR, ↓	Switched phase conductor
blue, BU, N	Neutral conductor
grey, GY, 1	Connection push-button
PE	Protective conductor

- Connect optional push-button (14) (see figure 9) or (see figure 10). This is only necessary if manual operation is also desired.
- i** Lit push-buttons may only be connected if they have an N connection terminal.
- i** In the case of single devices, a 2-wire extension can be used as an alternative to the push-button (14).
- Screw the sensor cover (2) to connection box (1) with screws (10) and mounting pins (9) (see figure 7).

Limiting the detection field using the push-on cover

The push-on cover can be used to limit the detection field, e.g. in order to mask out interference sources.

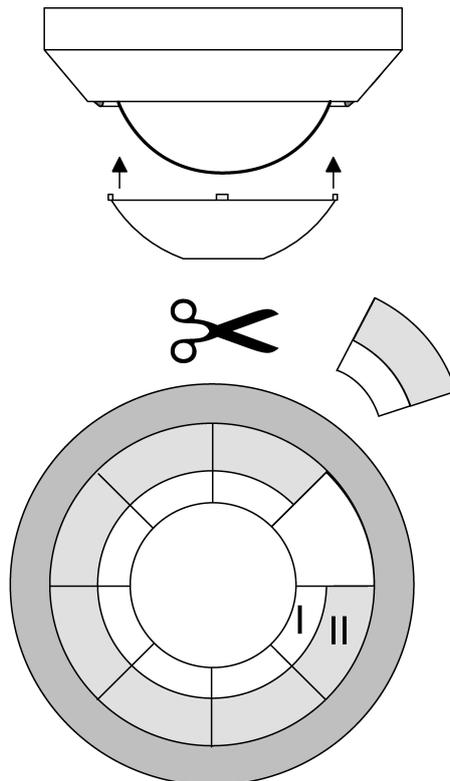


Figure 11: Push-on cover

Cover size	Range on the ground (mounting height 3 m)
Complete push-on cover	Ø approx. 4.5 m

Area I cut out	Ø approx. 7.5 m
Areas I + II cut out	Ø approx. 12 m
without push-on cover	Ø approx. 20 m

- Pull off push-on cover.
- Using scissors, cut out push-on cover along the marked lines as required.
- Push on push-on cover.

i Alternatively, the detection field can also be limited by switching off individual sensors (see Commissioning).

6.2 Commissioning

Insert battery into IR remote control

The necessary settings are carried out using the "installation engineer" IR remote control (see Accessories).

i If multiple devices are within the range of the IR remote control, then align it so that only the device to be operated can receive the signals.

Inserting the battery

i Obey the battery safety instructions.

- Keep contacts of batteries and device free of grease.
- Insert the supplied battery with correct polarity (see IR remote control imprint).

Button assignment of the "installation engineer" IR remote control

Taste	Funktion
1 s	Short-time operation
30 s , 2 min , 5 min , 30 min	Set run-on time
Teach Pressing for longer than 10 seconds	Saving ambient brightness as brightness threshold
, , ,	Setting the brightness threshold
0-1 h	Setting individual run-on time
Dyn. Pressing for longer than 10 seconds	Switching on the dynamic run-on time
PIR A, PIR B, PIR C, PIR A-C Pressing for longer than 10 seconds	Switching off the PIR sensors
PIR A, PIR B, PIR C, PIR A-C Pressing for less than 10 seconds	In the next 5 seconds, use the 25% , 50% , 75% and 100% buttons to set the sensitivity of the appropriate PIR sensor
25%, 50%, 75%, 100%	Setting the sensitivity
Mode Pressing for longer than 10 seconds	Switching on the Presence detector device function

Mode  Pressing for longer than 10 seconds	Switching on the Motion detector device function
Eco 	No function is saved for this device
Test 100 h Pressing for less than 10 seconds	Switch on test operation
Test 100 h Pressing for longer than 10 seconds	On for 100 hours
Set 1 Pressing for longer than 10 seconds	Save any changes made for later recall using the Set 2 button of the supplied IR remote control
On/Off  Pressing for longer than 10 seconds	Switch on/off switch-off warning
Prog Func	No function is saved for this device
Reset Pressing for between 4 seconds and 10 seconds	Switching off the functions: dynamic run-on time, switch-off prewarning, on for 100 hours, test operation
Reset Pressing for longer than 10 seconds	Restoring to factory settings

Switching on a device function

The device can work either as a motion detector or presence detector.

- Press the **Mode**  or **Mode**  button.
The device works either as a motion detector or presence detector.

 When changing the device function, the settings of the previous device function are saved and reactivated on changing again.

Setting the sensitivity

The sensitivity can be set individually for each PIR sensor.

- Press **PIR A**, **PIR B**, **PIR C** or **PIR A-C** button for less than 10 seconds.
- Within 5 seconds, press the **25%**, **50%**, **75%** or **100%** button.
Sensitivity is set.

 If no touch-sensitive button is pressed within 5 seconds, the old setting is kept.

Limiting the detection field

The detection field of the motion detector can be limited by switching off one or two PIR sensors. Since the detection areas of the PIR sensors overlap, there is no distinct demarcation of the blocked out detection area. If all the PIR sensors have been switched off, then the device works as a twilight switch.

- Press the **PIR A**, **PIR B** or **PIR C** button for longer than 10 seconds.
The appropriate PIR sensor is switched off and the detection field is limited.
- Press the **PIR A-C** button for longer than 10 seconds.

If all the PIR sensors are switched off, then the device functions as a twilight switch.

- i** Individual PIR sensors or all of them can be switched on by setting a sensitivity for the PIR sensors (see Setting sensitivity).

Setting the switch-on brightness

One of four predefined brightness thresholds (see table) or one individual brightness threshold can be set (see Saving current brightness as the switch-on brightness). If the device is set as a motion detector, then the brightness is measured on the device. If the device is set as a presence detector, then the brightness is measured on the work surface.

- Press the appropriate button (see table).

Brightness thresholds

Icon	Device function, motion detector	Device function, presence detector
	5 lux	200 lux
	10 lux	500 lux
	150 lux *	1000 lux
	Brightness-independent – day operation	Brightness-independent – day operation

* Setting for stairways according to DIN EN12464-1, 2003-03

Saving the current brightness as the switch-on brightness

The Teach function can be used to save the current brightness as a switch-on brightness.

- i** Do not shade the device during the measuring process.
 - Create the desired lighting situation, e.g. switch light on or off.
 - Press the **Teach**  button for longer than 10 seconds.

The Teach function is activated, the current brightness is saved as the switch-on brightness and is used after a maximum of 3 minutes.
- i** If a value greater than 2000 lux is saved, the motion detector switches to day operation independent of the brightness.

Setting fixed run-on time

- Press the **30 s** , **2 min** , **5 min**  or **30 min**  button.
- i** If the run-on time is shortened, then it only becomes active after the device has switched off once. To cancel a running run-on time, set the special function Continuous on, for example, and then switch back to Automatic operation (see Operation).

Setting individual run-on time

The individual run-on time can be set within a range of 10 seconds to 60 minutes. One of the fixed run-on times can be set again at any time.

- Press the **0-1 h**  button.
Run-on time starts.
 - When the required run-on time is reached, press the **0-1 h**  button.
The device saves the run-on time.
- i** If the run-on time is shortened, then it only becomes active after the device has switched off once. To cancel a running run-on time, set the special function Continuous on for example and then switch back to Automatic operation (see Operation).

Setting the dynamic run-on time

The device adapts the run-on time to the motion situation.

- Press the **Dyn.**  button for longer than 10 seconds.
The dynamic run-on time is activated.
- i** To switch off the function, press the **Reset** button for between 4 and 10 seconds

Switching on short time operation

- Press the **1 s**  button.
- i** No individual or dynamic run-on time can be set in short time operation.
- i** To switch off short time operation, set a fixed or individual run-on time.

Switching on switch-off warning

Switch-off warning is switched off.

- Press the **On/Off**  button for longer than 10 seconds.
Switch-off warning is switched on. If pressed again, the switch-off warning is switched off again.
- i** The function is also switched off if the **Reset** button is pressed for between 4 and 10 seconds.

Switching on the function as a twilight switch

All the PIR sensors must have been switched off for the device to work as a twilight switch.

- Press the **PIR A-C** button for longer than 10 seconds.
The red LED lights up. The device functions as a twilight switch.

- i** If day operation is set as the switch-on brightness, the light remains off continuously.
- i** Switching via a 2-wire extension or push-button is not possible.

Switch on test operation

The test operation is used for testing the detection area. In test operation, the device operates independently of the brightness. All the other settings remain unchanged. Detected motions are signalled by the blue status LED.

- Press the **Test 100 h** button for between 4 and 10 seconds.
Test operation is switched on for 5 minutes.
- i** By pressing the **Auto Mem** button of the supplied IR remote control, you can switch to automatic operation at any time (see Operation).
- i** The function is also switched off if the **Reset** button is pressed for between 4 and 10 seconds.

Switch on "On" for 100 h

This function is used to burn in fluorescent lamps.

- Press the **Test 100 h** button for longer than 10 seconds.
The lamps are switched on for 100 hours. The device is switched back to automatic operation again after the time has elapsed.
- i** During the 100 hours, no switching is possible via 2-wire extension, push-button or IR remote control, movement signals are not evaluated.
- i** To switch off the function, press the **Reset** button for between 4 and 10 seconds.

Saving settings

Save the settings so that, if necessary, the end customer can recall them using the **Set 2** button of the supplied IR remote control. No values are saved in the as-delivered state.

- Press the **Set 1** button for longer than 10 seconds.
The following settings are saved: device function, sensitivity of PIR A-C, detection angle, switch-on brightness, run-on time, dynamic run-on time, short time operation, switch-off pre-warning. Previously saved values are overwritten.

Restoring the device to factory settings

- Press the **Reset** button for longer than 10 seconds.

Function	Value
Device function	Motion detector
Operating mode	Automatic operation

Sensitivity of PIR A-C	75%
Detection angle	360°, PIR A-C switched on
Switch-on brightness	10 lux
Run-on time	2 minutes
Dynamic run-on time	switched-off
Short-time operation	switched-off
Switch-off warning	switched-off
Presence simulation	switched-off
Test operation	switched-off

i If the **Reset** button is pressed for between 4 and 10 seconds, only a few functions are terminated (see Button assignment of "installation engineer" IR remote control).

7 Technical data

Rated voltage	AC 110 ... 230 V ~
Mains frequency	50 / 60 Hz
Ambient temperature	-5 ... +45°C
Standby power	max. 0.3 W
Circuit breaker	max. 16 A
Contact type	ε
Detection angle	360°
Dimensions Ø×H	103 × 66 mm
Installation height	3 m
Detection field	Ø approx. 20 m
Sensitivity	25 ... 100%
Brightness setting	Approx. 5 ... 2000 lx (and day operation)
Run-on time	approx. 10 s ... 30 min
Short-time operation	
Pulse duration	approx. 0.5 s
Pulse stop	approx. 3 s
Switching current at 35 °C	
Ohmic	16 A (AC1)
Fluorescent lamps	4 AX
Minimum switching current AC	100 mA
Connected load at AC 230 V~ and 35 °C	
Incandescent lamps	2300 W
HV halogen lamps	2000 W
Electronic transformers	1500 W

Inductive transformers	1000 VA
HV-LED lamps	typ. 400 W
Compact fluorescent lamps	typ. 400 W
Fluorescent lamps, uncompensated	920 VA
Capacitive load	690 VA (560 µF)
Connected load at AC 110 V~ and 35 °C	
Incandescent lamps	1150 W
HV halogen lamps	1000 W
Electronic transformers	750 W
Inductive transformers	500 VA
HV-LED lamps	typ. 200 W
Compact fluorescent lamps	typ. 200 W
Fluorescent lamps, uncompensated	460 VA
Capacitive load	345 VA (560 µF)
Connection	
Single stranded	1.0 ... 2.5 mm ²
finely stranded with tin-plated conductor ends	0.75 ... 1.5 mm ²
Number of extension units	
Push-button	unlimited
2-wire	unlimited
Total length of extension device cable	Max. 100 m
Total length power cable	Max. 100 m
IR remote control	
Battery type	1×lithium CR 2025

8 Troubleshooting

Device does not switch on

Cause 1: The ambient brightness is greater than the set brightness value.

Set brightness value.

Cause 2: Device does not detect any motions.

Increase sensitivity.

Switch on all sensors.

Cause 3: Off for 2 hours or Continuous off is activated

Switch on automatic mode.

Device switches on without motions

Cause 1: Presence simulation is activated. Device switches at saved times.

Switch the presence simulation off.

Cause 2: Interference sources in the detection field.

Remove interference sources if possible.

Reduce sensitivity.

Limit the detection field.

Device constantly switches on and off during motion

Cause 1: Short time operation is switched on.

Set a longer run-on time.

Device switches off despite motion

Cause 1: The device does not detect any motion.

Increase sensitivity.

Cause 2: Detection field is limited because a sensor was switched off.

Switch on all sensors.

Cause 3: Detection field is limited by push-on cover.

Check the push-on cover.

Device does not switch off

Cause 1: Interference sources in the detection field, device detects motions constantly.

Remove interference sources if possible.

Reduce sensitivity.

Limit the detection field.

Cause 2: On for 2 hours, Continuous on or On for 100 hours is activated.

Switch on automatic mode.

The device does not respond to IR remote control, red LED does not flash.

Cause 1: IR remote control out of range.

Go closer to the motion detector.

Cause 2: Battery in IR remote control is empty.

Change battery (see back of the IR remote control).

The device does not respond to IR remote control, red LED flashes, blue LED does not

Cause: Device is receiving an IR signal. Function or setting cannot be executed.

9 Accessories

IR remote controller PIR 1 (installer)

Order no.: 2382 00

10 Warranty

The warranty is provided by the specialist trade in accordance with statutory requirements. Please submit or send faulty devices postage paid together with a fault description to your responsible salesperson (specialist trade / installation company / electrical specialist trade). They will forward the devices to the Gira Service Center.

Gira
Giersiepen GmbH & Co. KG
Elektro-Installations-
Systeme

Industriegebiet Mermbach
Dahlienstraße
42477 Radevormwald

Postfach 12 20
42461 Radevormwald

Deutschland

Tel +49(0)21 95 - 602-0
Fax +49(0)21 95 - 602-191

www.gira.de
info@gira.de